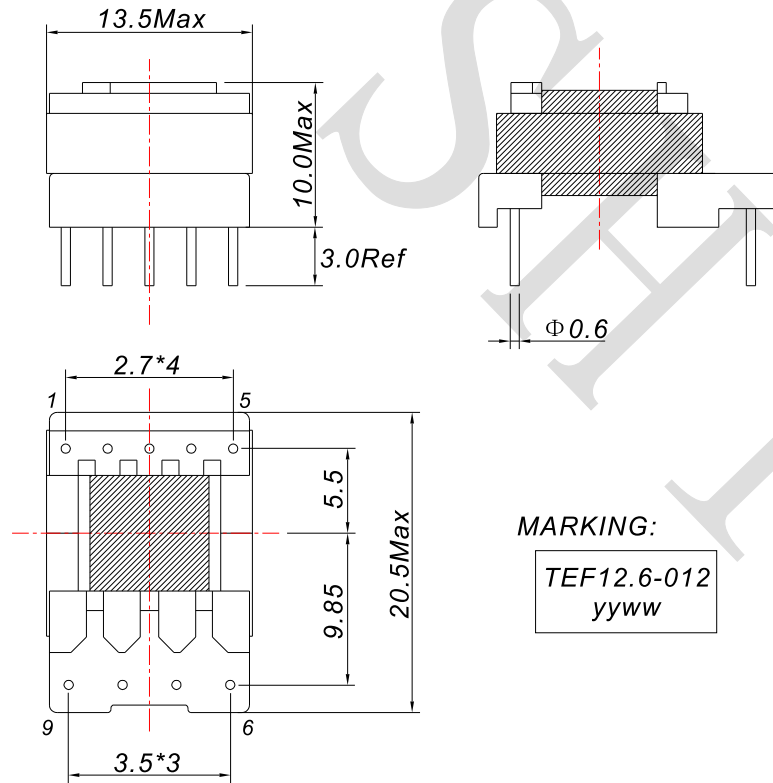


Rev.	Description	Date
A0	New release	2016.07.16

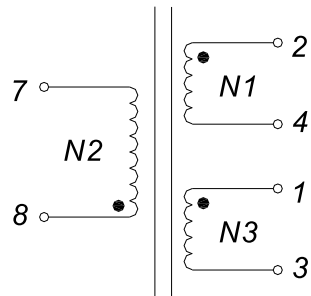
MECHANICAL DIMENSION:(UNIT:mm)



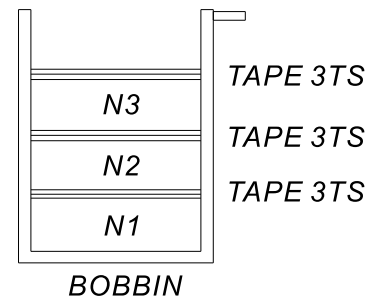
MARKING:

TEF12.6-012
yyww

SCHEMATIC:



WINDING CONSTRUCTION:



WINDING:

WDG	TERMINAL	WIRE SIZE	TURNS	TAPE	DCR
N1	2-4	$\phi 0.4\text{mm} * 1P$	9TS	3TS	35m Ω Max
N2	8-7	TEX-E $\phi 0.32\text{mm} * 1P$	13TS	3TS	85m Ω Max
N3	1-3	$\phi 0.4\text{mm} * 1P$	8TS	3TS	45m Ω Max

TECHNICAL PARAMETER:

NO.	ITEM	MEASURED POINT	TECHNICAL DATA	TEST CONDITION & INSTRUMENT
1	Inductance	L 1-4	870uH \pm 30%	100KHz,0.1V,Short 2-3
2	Lk	L 1-4	0.8uH Max	100KHz,0.01V
3	HI-POT	Pri to Sec	5.0KV 5mA,1S	epe 7112

MATERIAL LIST:

NO.	ITEM	MATERIALS	RATING	FILE NO	SUPPLIERS
1	BOBBIN	PHENOLIC T375J UL RATING:94V-0	130 $^{\circ}$ C	E59481(S)	CHANGCHUN PLASTICS CO.,LTD
2	CORE	FERRITE TP4 EF12.6	---	---	TDG TDK
3	WIRE	2UEW-F TEX-E	155 $^{\circ}$ C 120 $^{\circ}$ C	E239508 E350162	SHANTOU SHENGANG ELECTRICAL INDUSTRIAL CO LTD SHENZHEN YOUKEHUI TECHNOLOGY CO.,LTD
4	TAPE	PZ-280	130 $^{\circ}$ C	E165111	JINGJIANG YAHUA PRESSURE SENSITIVE GLUE CO., LTD.
5	VARNISH	T4260A	105 $^{\circ}$ C	E228349	WU JIANG TAIHU INSULATING MATERIAL CO LTD

NAME:	Flyback Transformer		
CUSTOMER P/N:	750510476	DATE:	2016-07-16
SHINHOM P/N:	TEF12.6-012	REV: A0	PAGE
DRAWN BY	CHECKED BY	APPROVE BY	