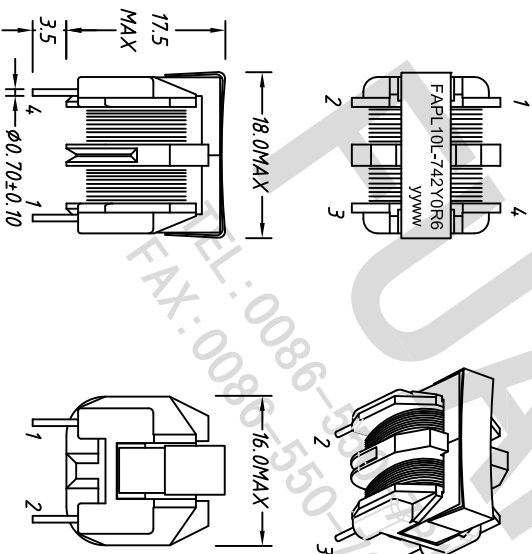
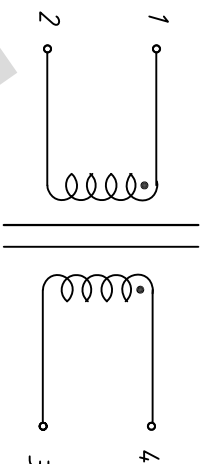


P/N: FAPL10L-742Y0R6

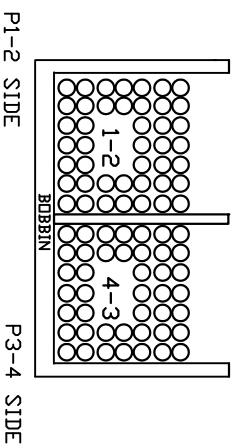
Mechanical Dimensions : (mm)



Coil structure and schematic




Winding Construction:



Note : Temp 20°C 48% RH. RoHS compliant.

PROPRIETARY

Document is the property of FUJIAN Inc & is not allow to be duplicated without authorization

 <p>TEL: +86-550-7814888 Fax: +86-550-7831133 www.fujiantronics.com</p>	<p>Model: UU10.5 common choke</p>		<p>Document No: 1303015</p>
	<p>Unless Otherwise Specified TOLERANCES: X : ±0.50 XX : ±0.25 Dimensions in mm</p>	<p>DWN . Yüingyu CHK . Anson. zhan APP . Louis. lin</p>	<p>Rev: 00</p>

Electrical Specifications:
 Inductance : L1-2&4-3 7.4mH Min @10KHz 0.1V
 Rated current: 0.60A.
 RDC : 1-2&4-3 0.60 Ohm MAX
 Hi-Pot : Coil-Coil-Core 2000VAC/1mA/60Second
 Bobbin: UU10.5-4P/T375J.
 core: UU10.5-H10K
 wire: UEW-B.
 Varnish: T4260GK

Date	Rev.	Revisions Rec.