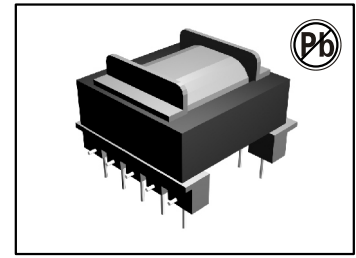


POWER FERRITE TRANSFORMERS

12-24W EF20 - 2 OUTPUT FLYBACK TRANSFORMERS

FAT 74080, 74082 SERIES



FEATURES:

Primary / Secondary Insulation 4000V
 Primary Auxiliary Insulation 1500V
 Creepage distances Primary / secondary 8mm

OPTIONS:

Bulk packaging is standard
 Custom design available

COMMON APPLICATIONS:

AC-DC converters
 DC-DC converters
 Switch Power supplies
 FAPS: Flyback, Forward and Push-pull
 FAPS: Half Bridge and Full Bridge

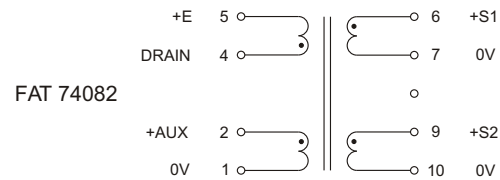
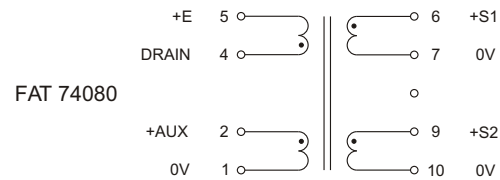
ELECTRICAL CHARACTERISTICS

Part No.	Control IC Manufacturer	Control IC PIN	Input voltage	Power	Frequency
FAT 74080	Power Integrations	TOP243P	185-265 Vrms	24 w	132 kHz
	Power Integrations	TOP243P	85-265 Vrms	15 w	132 kHz
FAT 74082	Power Integrations	TNY268	185-265 Vrms	17 w	132 kHz
	Power Integrations	TOP243P	185-265 Vrms	20 w	132 kHz
	Power Integrations	TOP243P	85 - 265 Vrms	14 w	132 kHz

TECHNICAL INFORMATION

Ambient temperature < 50
 Construction conforms to CEI 950, CEI 335, CEI 61558 for reinforced insulation
 Exclusively uses UL94-VO listed materials

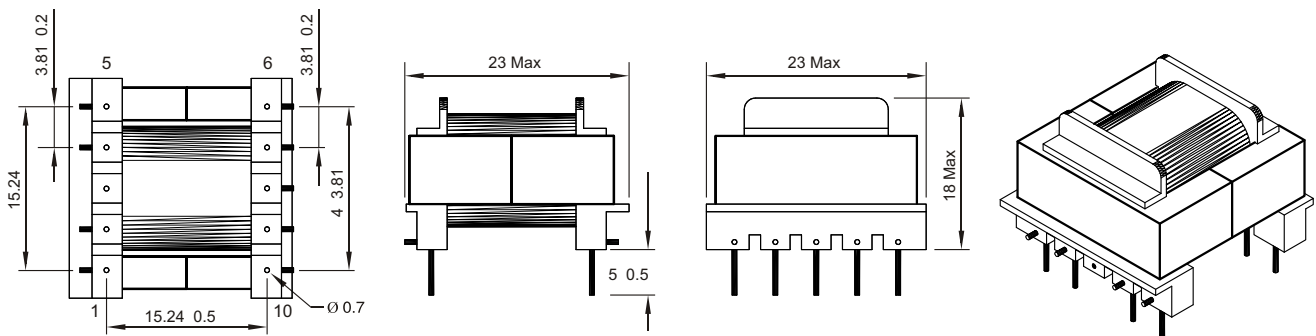
SIZE EF20 2 OUTPUTS : 5 /5v or 12/12v - FLYBACK TRANSFORMER							
Part Number	Output Power max	Windings					
		Pins	Turns	Voltage	Current max	Inductance (+/-10%)	
FAT 74080	24 w	Pri	4-5	86	80-135 (VOR)	1.0 Apeak	1000 H
		Aux	2-1	12	11- 8 Vdc	0.3 Adc	
		S1	6-7	10	9- 5 Vdc	1.5 Adc	
		S2	9-10	10	9-15 Vdc	1.5 Adc	
FAT 74082	20 w	Pri	4-5	86	30-135 (VOR)	0.9 Apeak	1300 H
		Aux	2-1	12	7-18 Vdc	0.3 Adc	
		S1	6-7	5	3-7.5 Vdc	2.0 Adc	
		S2	9-10	5	3 - 7.5 Vdc	2.0 Adc	



Note: S1 and S2 can be connected in series or in parallel

Note: PIN 3 Removed, PCB Drilling Diameter = 1.2mm

PHYSICAL CHARACTERISTICS



Note: All dimensions in mm