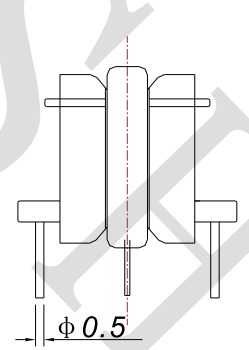
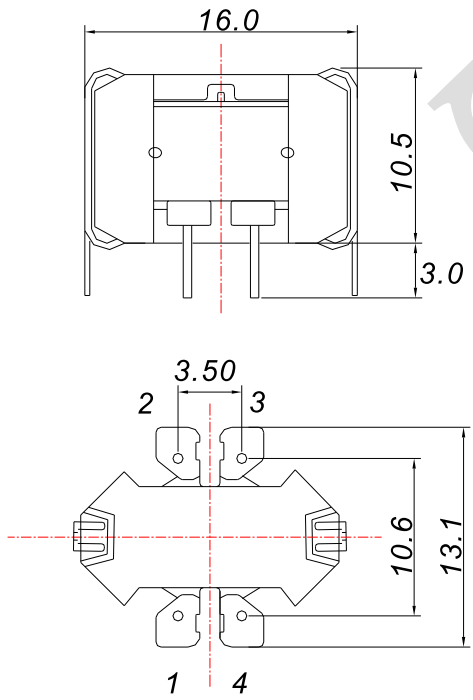


**MECHANICAL DIMENSION:(UNIT:mm)**



**WINDING:**

WDG	TERMINAL	WIRE SIZE	TURNS	TAPE	DCR	REMARKS
N1	1-4	φ 0.07MM*1P	595TS	1TS	60Ω Max	
N2	3-2	φ 0.07MM*1P	595TS	2TS	80Ω Max	

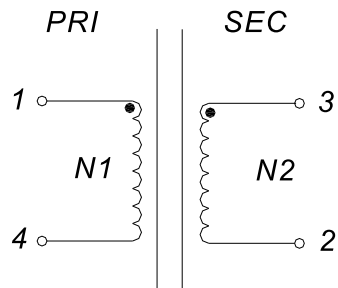
**TECHNICAL PARAMETER:**

NO.	ITEM	MEASURED POINT	TECHNICAL DATA	TEST CONDITION & INSTRUMENT
1	INDUCTANCE	1-4=3-2	2.0H min	1kHz 0.30v
2	HI-POT	PRI TO SEC	AC 1000V 5mA 1S	epe 7112
		PRI TO CORE	AC 1000V 5mA 1S	
		SEC TO CORE	AC 1000V 5mA 1S	

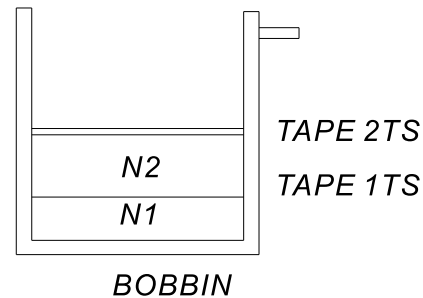
**MATERIAL LIST:**

NO.	ITEM	MATERIALS	RATING	FILE NO	SUPPLIERS
1	BOBBIN	PHENOLIC T375J	130°C	E59481(S)	CHANGCHUN PLASTICS CO.,LTD
		UL RATING:94V-0			
2	CORE	RM5 12K AL>6200	---	---	TDG
	RM5		---	---	TDK
3	WIRE	DD	130°C	E84081	PACIFIC ELECTRIC WIRE&CABLE CO.LTD
4	TAPE	PZ-280	130°C	E165111	JINGJIANG YAHUA PRESSURE SENSITIVE GLUE CO., LTD.
5	EPOXY	T-620-H-3	200°C	N/A	BOLUO QIANGLI MULTIPLE MATERIAL CO LTD

**SCHEMATIC:**



**WINDING CONSTRUCTION:**



NAME:	Flyback Transformer		
CUSTOMER P/N:	T6071NL	DATE:	2014-09-29
SHINHOM P/N:	TRM5-005	REV: A0	PAGE
DRAWN BY	CHECKED BY	APPROVE BY	