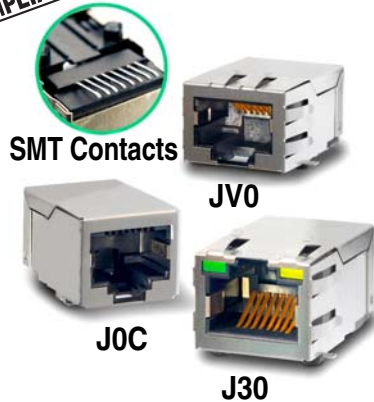


# PULSEJACK™ Surface Mount 1x1



## Description:

10/100Base-TX surface mount RJ45 single port (1x1) Tab-UP/DOWN with or without LEDs Integrated Magnetics Connector, designed to support applications such as: Set Top Box and Network Interface Cards (NIC).



## Features and Benefits:

- ⚙️ Peak solder temperature rating per Table 5-2 in IPC/JEDEC J-STD-020C
- ⚙️ For RoHS part, add suffix **NL**<sup>3</sup>
- ⚙️ J0C SMT product, reduced size and low cost alternative to JV series

## Electrical Performance Summary:

- ⚙️ Meets IEEE 802.3 specification
- ⚙️ High performance for maximum EMI suppression

## Electrical Specifications @ 25°C — Operating Temperature 0°C to +70°C

Part <sup>2</sup> Number	RoHS <sup>3</sup>	Turns Ratios		Tab Option Up/Down	LEDs <sup>1</sup> L/R	BST Circuit	EMI Finger	Insertion Loss TX/RX (dB MAX)		Return Loss (dB MIN) 100Ω (±15Ω)				Crosstalk (dB MIN)			Common Mode Rejection (dB MIN)		Hipot (Vrms) (MIN)
		TX	RX					1-65 MHz	1-10 MHz	30 MHz	60-80 MHz	1-10 MHz	30-60 MHz	60-100 MHz	1-50 MHz	50-130 MHz	@60 Hz 1 MIN		
J0C-0003	NL	1CT:1	1CT:1	Down	No	No	No	-1.0	-18	-14	-10	-35	-35	-30	-20	-20	1500		
J0C-0004	NL	1CT:1	1CT:1	Down	No	No	Yes	-1.0	-18	-14	-10	-35	-35	-30	-20	-20	1500		
J0C-0005	NL	1CT:1	1CT:1	Down	No	Yes	No	-1.0	-18	-14	-10	-35	-35	-30	-20	-20	1500		
J0C-0006	NL	1CT:1	1CT:1	Down	No	Yes	Yes	-1.0	-18	-14	-10	-35	-35	-30	-20	-20	1500		
JV006I21	NL	1CT:1	1CT:1	Down	No	No	Yes	-1.0	-20	-16	-12	-40	-35	-30	-30	-20	1500		
JV011I21	NL	1CT:1	1CT:1	Down	No	Yes	Yes	-1.0	-20	-16	-12	-40	-35	-30	-30	-20	1500		
JV026I21	NL	1CTS:1	1CT:1	Down	No	Yes	Yes	-1.0	-20	-16	-12	-40	-35	-30	-30	-20	1500		
J3006G21D	<sup>4</sup>	1CT:1	1CT:1	Up	G/Y	No	Yes	-1.0	-20	-16	-12	-40	-35	-30	-30	-20	1500		
J3011G21D	NL	1CT:1	1CT:1	Up	G/Y	Yes	Yes	-1.0	-20	-16	-12	-40	-35	-30	-30	-20	1500		
J3018G21K	<sup>4</sup>	1CTS:1.414	1CT:1	Up	G/G	Yes	Yes	-1.0	-20	-16	-11.5	-40	-35	-30	-30	-20	1500		
J3026G01D	<sup>4</sup>	1CTS:1	1CT:1	Up	G/Y	Yes	No	-1.0	-20	-16	-12	-40	-35	-30	-30	-20	1500		
J3026G21D	<sup>4</sup>	1CTS:1	1CT:1	Up	G/Y	Yes	Yes	-1.0	-20	-16	-12	-40	-35	-30	-30	-20	1500		

Notes: 1. LEDs Left/Right: **G** = green; **Y** = yellow.

2. Add suffix "T" for Tape & Reel option (e.g. J0C-0004T).

3. Add suffix "NL" for RoHS compliant parts (e.g. J0C-0004 changes to J0C-0004NL, or J0C-0004NLT for Tape & Reel option).

4. Contact Pulse for RoHS compliant part availability.

## RJ45 Durability Testing Rating

Part Number	Mating Force (MAX)	Unmating Force (MAX)	Durability	Plug to Jack Retention (MIN)
J0C/JV/J3 Series	5 lbs./2.268 kgs.	5 lbs./2.268 kgs.	750 Insertions	20 lbs./9.072 kgs.

## RJ45 Material Specification

Part Number	Shield		Contact			Housing		MSL <sup>2</sup> Rating
	Material	Finish	Material	Plating Area	Solder Area <sup>4</sup>	Material	Specification	
J0C/JV/J3 Series	Brass	20-40μ inches thick nickel over Brass	Phosphor Bronze	15μ inches gold over 30-80μ inches nickel	75-300μ inches tin-lead over 30-80μ inches nickel	High Temp. Thermoplastic	UL 94 V-0	1 <sup>3</sup>

Notes: 1. Connector dimensions comply with FCC part 68 dimension requirements.

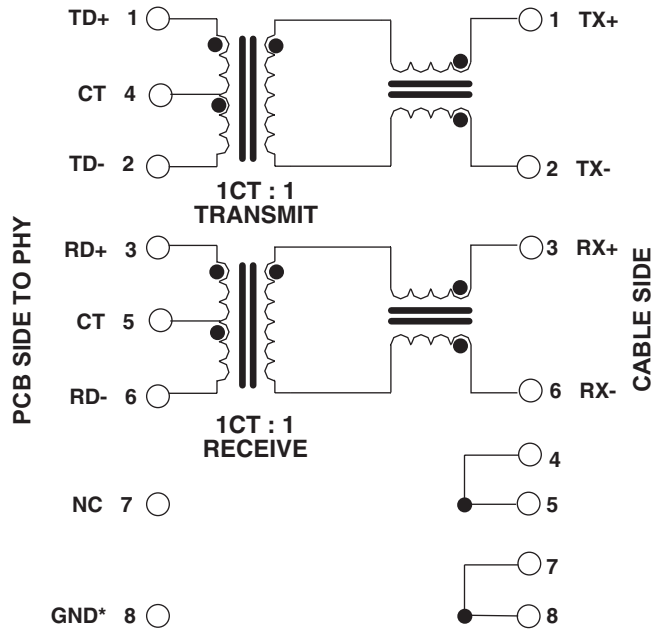
2. MSL = Moisture Sensitivity Level rating: 1 to 5 (highest rating = 1, lowest rating = 5).

3. The MSL rating for J0C-000X is Level 4. All other connectors are Level 1.

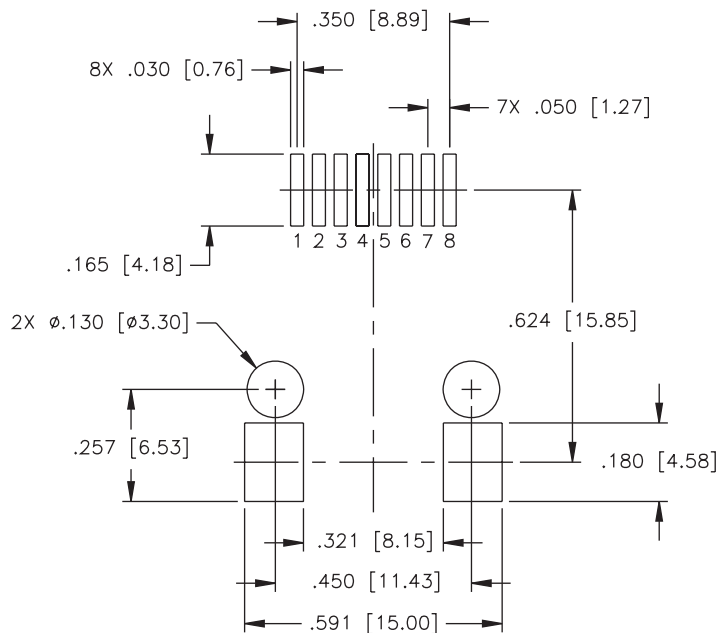
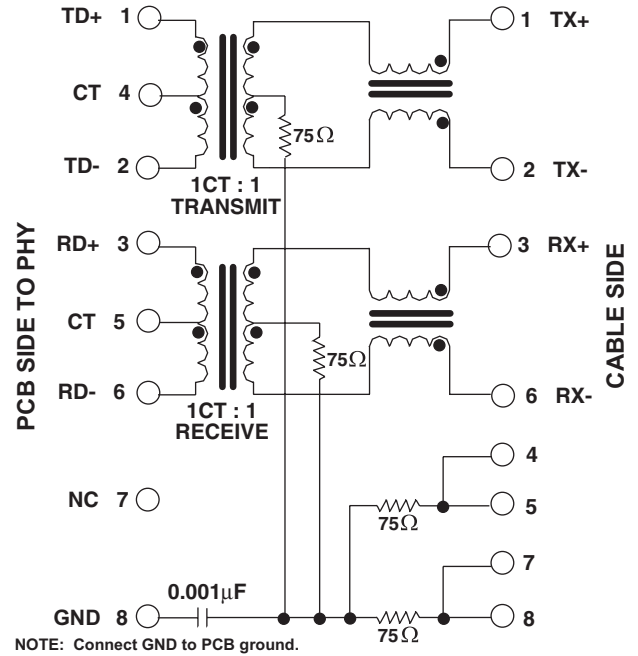
4. NL parts are tin matte finish over nickel.

### J0C Platform Schematics

J0C-0003/4



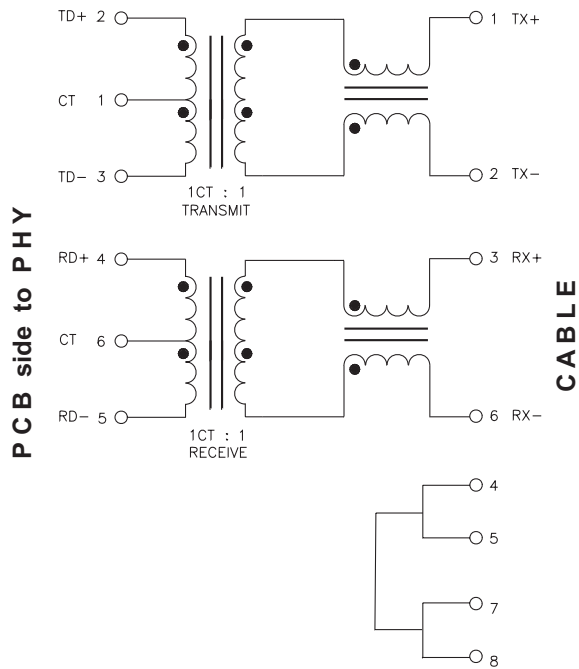
J0C-0005/6



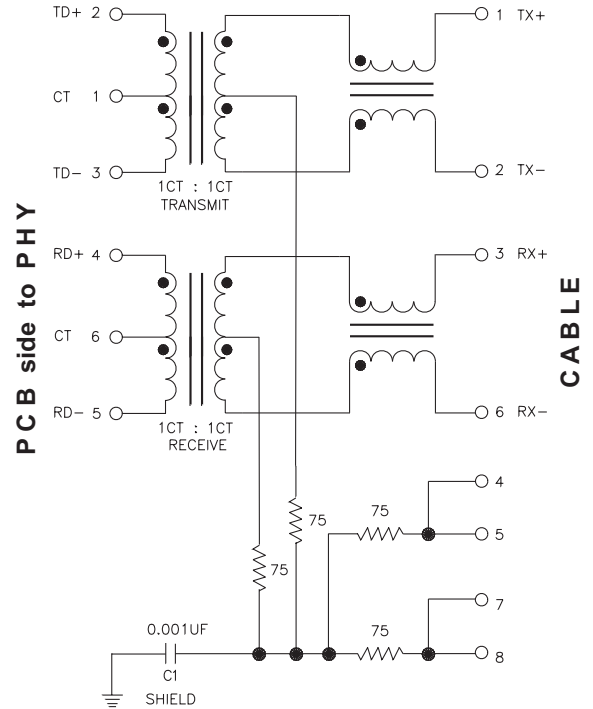
SUGGESTED FOOTPRINT (COMPONENT SIDE SHOWN)  
 DIMENSIONAL TOLERANCE: (UNLESS OTHERWISE SPECIFIED)  
 .XXX ±.003 [X.XX ±0.08]

### JV Platform Schematics

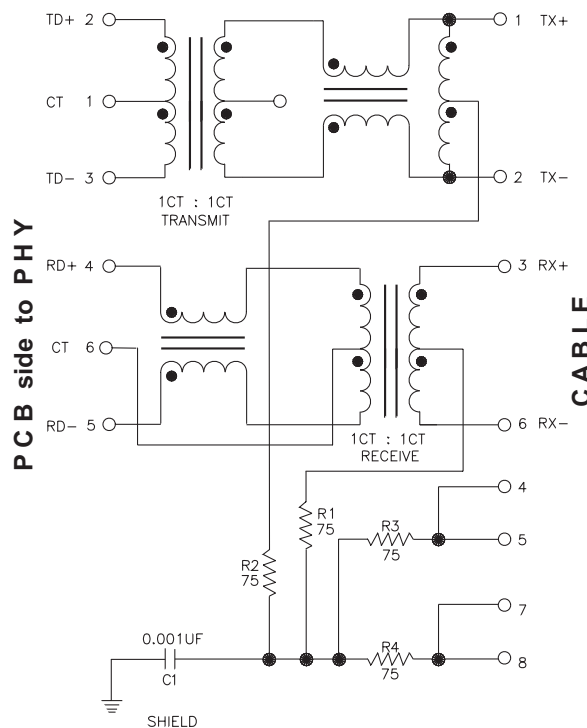
**JV006**



**JV011**



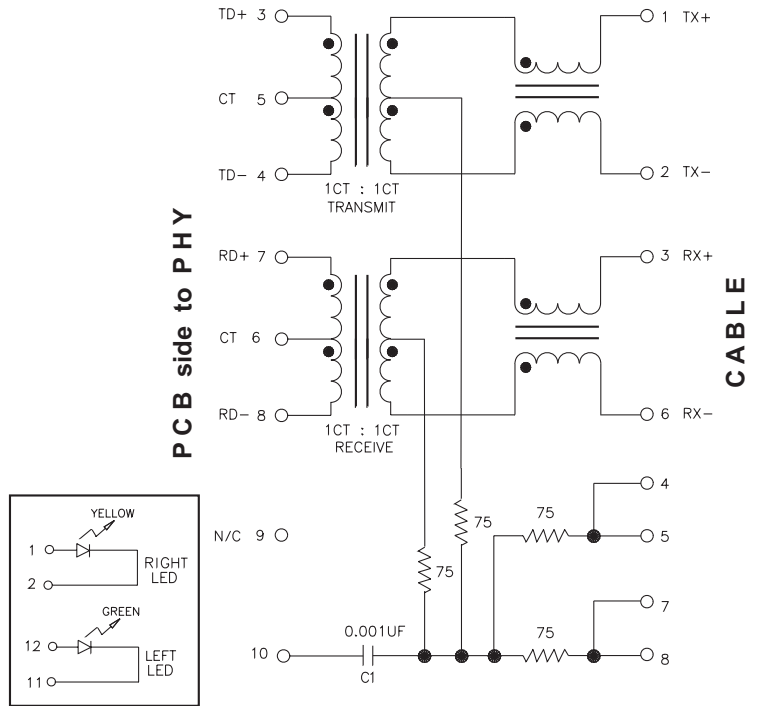
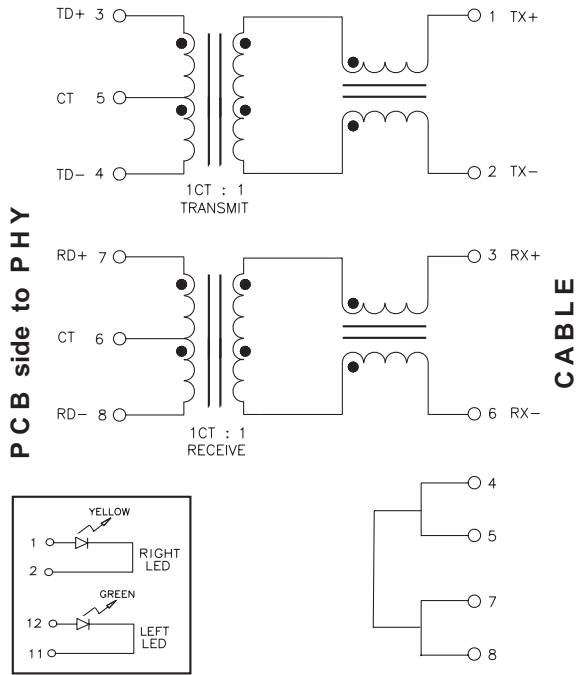
**JV026**



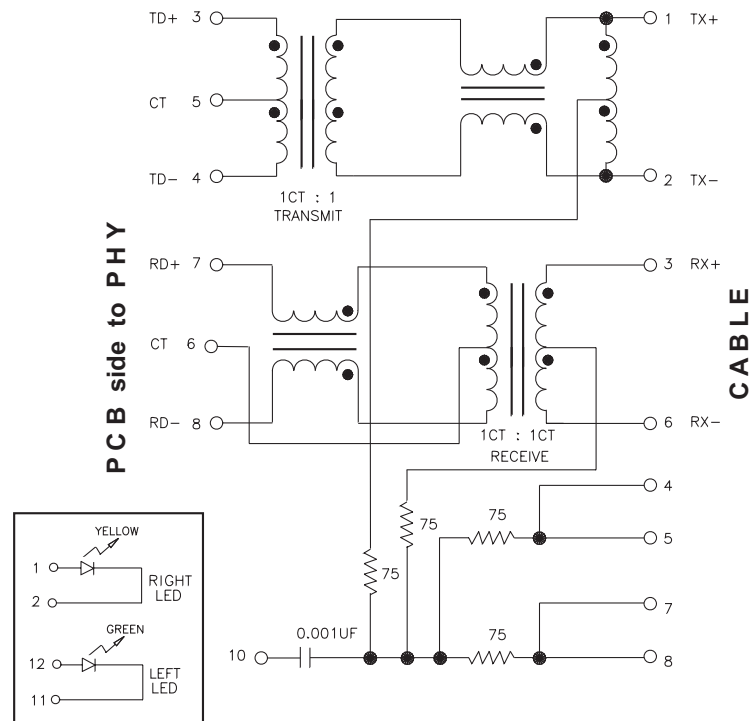
### J3 Platform Schematics

#### J3006

#### J3011

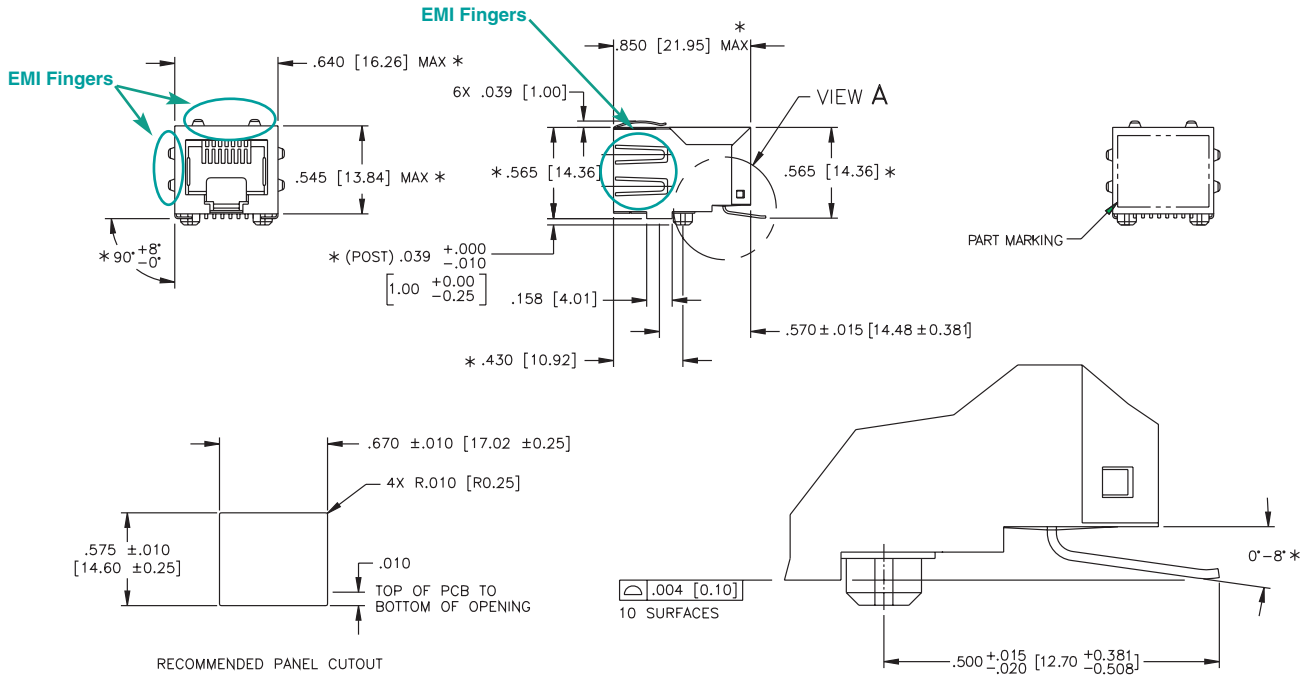


#### J3018/J3026

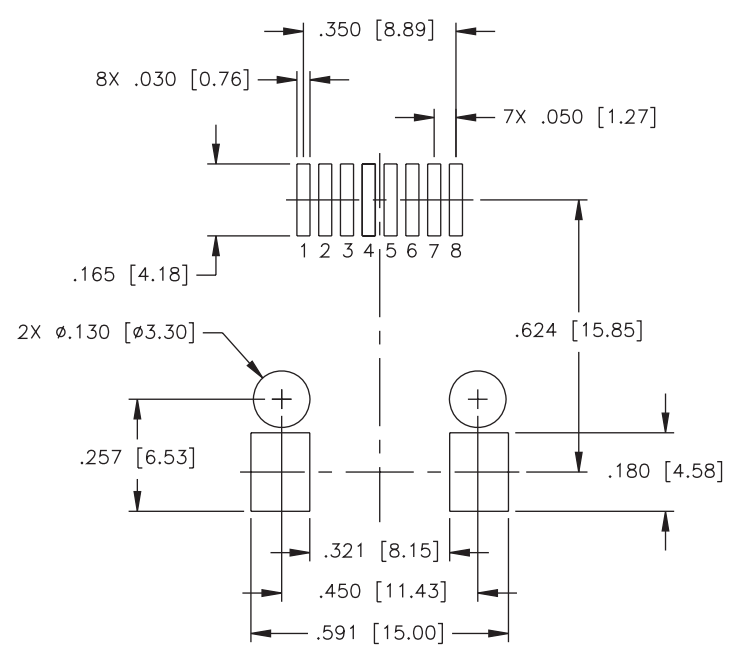


### J0C Platform Mechanicals

**J0C-0004/6** (J0C-0003/5 - Same platform without EMI Fingers)



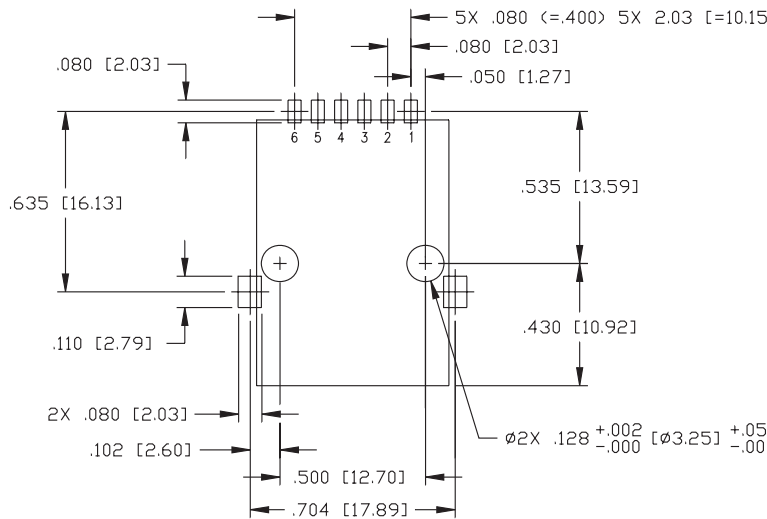
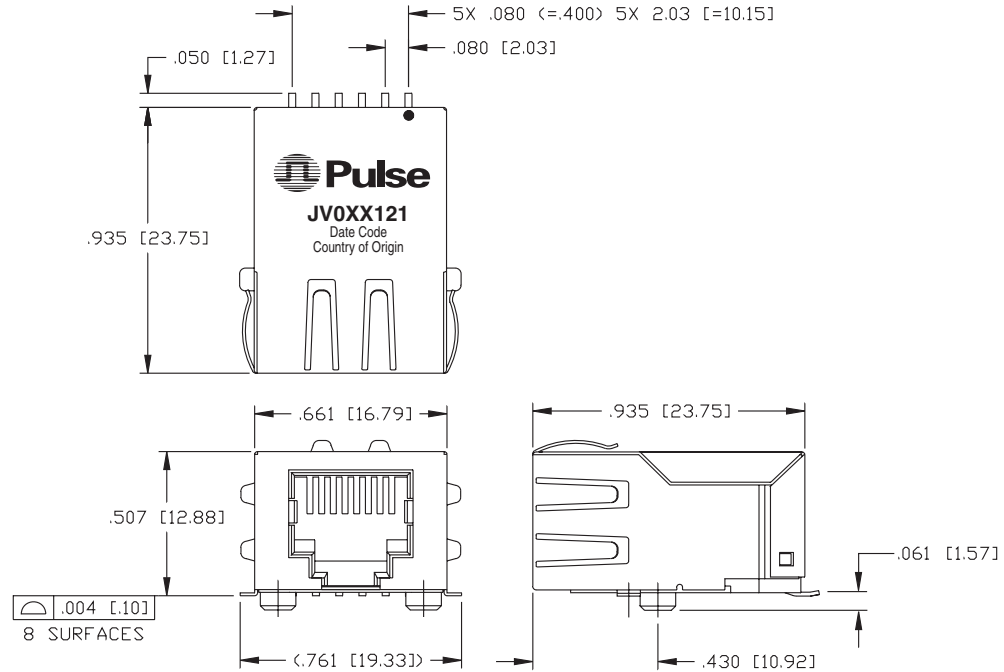
RECOMMENDED PANEL CUTOUT



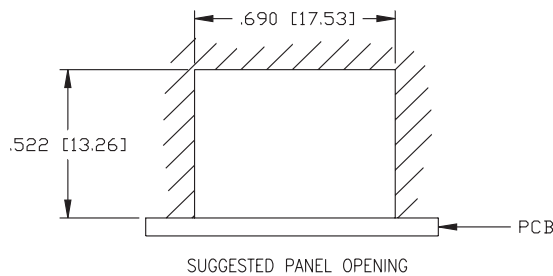
SUGGESTED FOOTPRINT (COMPONENT SIDE SHOWN)  
 DIMENSIONAL TOLERANCE: (UNLESS OTHERWISE SPECIFIED)  
 .XXX ±.003 [X.XX ±0.08]

### JV Platform Mechanicals

#### JV Series



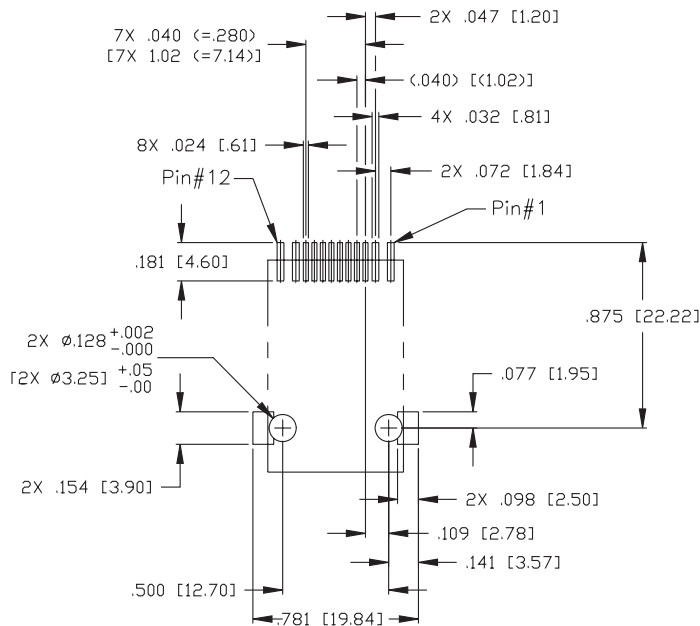
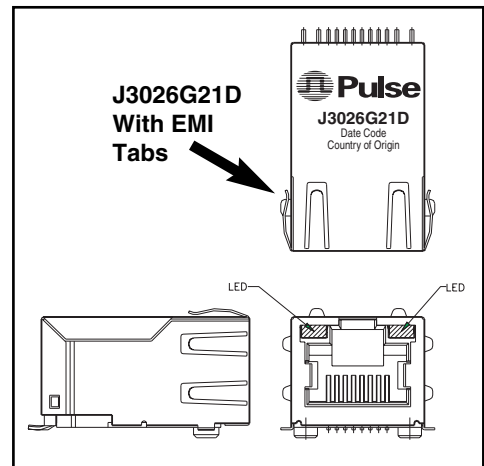
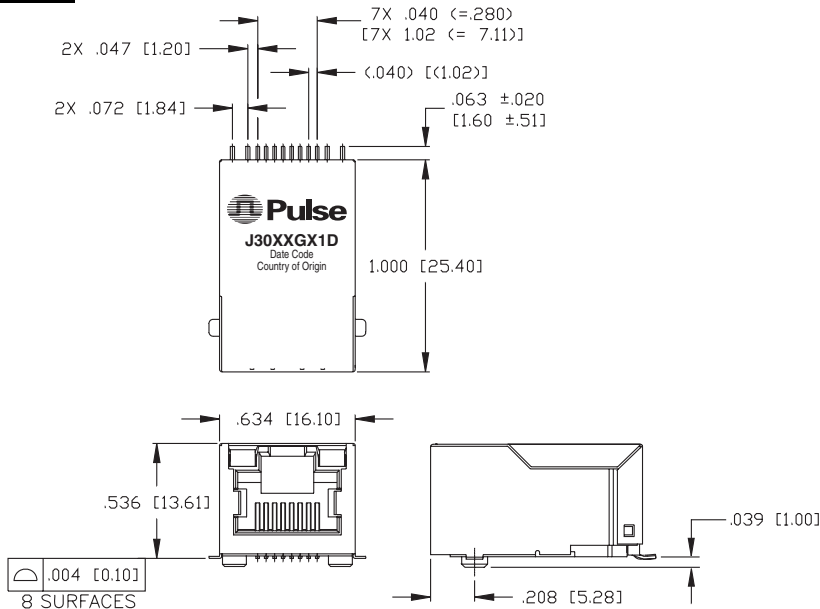
SUGGESTED PC BOARD LAYOUT VIEWED FROM COMPONENT SIDE  
PCB LAYOUT DIMENSIONS TO BE  $\pm .003$  UNLESS OTHERWISE SPECIFIED



**Dimensions:**  $\frac{\text{Inches}}{\text{mm}}$   
Unless otherwise specified,  
all tolerances are  $\pm \frac{.010}{.25}$

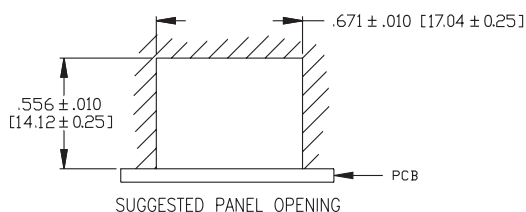
### J3 Platform Mechanical

#### J3 Series



Dimensions: Inches  
mm  
Unless otherwise specified,  
all tolerances are  $\pm \frac{.010}{0.25}$

SUGGESTED PC BOARD LAYOUT VIEWED FROM COMPONENT SIDE  
PCB LAYOUT DIMENSIONS TO BE  $\pm .003$  [ $\pm 0.08$ ] UNLESS OTHERWISE SPECIFIED



### J0C Application Note

This line of 10/100Base-TX SMT RJ45 1X1 Connector Magnetics Modules has been specifically designed for the implementation of a 10Base-T and 100Base-TX transmission over data-grade unshielded twisted pair cable (UTP-3, 5e and 6).

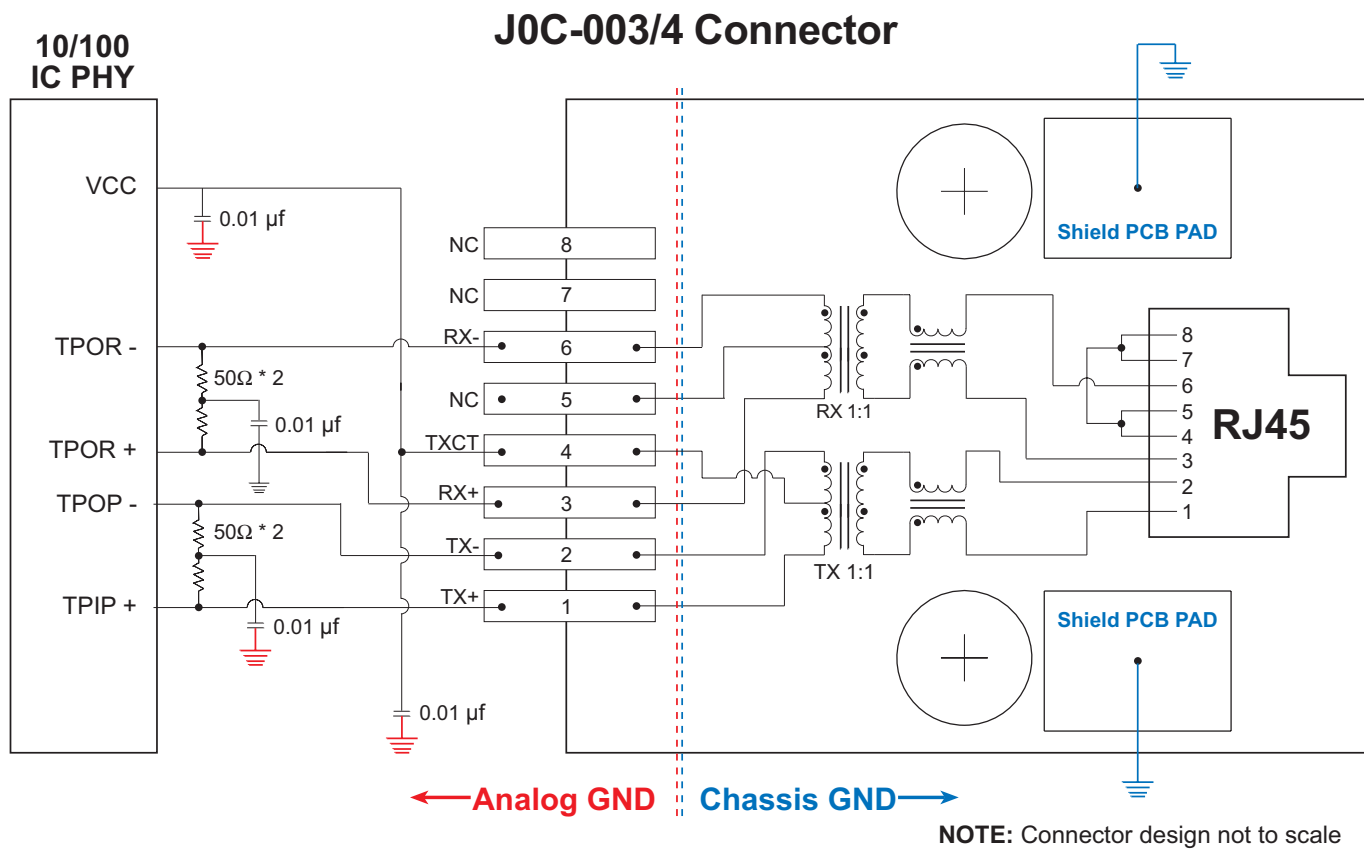
The connectors provide excellent EMI filtering and are suitable for adapter card and multiport applications. Pulse has worked closely with the leading IC manufacturers in providing these 10/100 solutions, thereby assuring compatibility with each transceiver.

The J0C series meets the stringent open circuit inductance requirements imposed by IEEE. When an 8mA DC current is applied across the transformer windings, the transformer will provide at least 350µH. The transformers used in each module also provide 1500Vrms minimum isolation, wide bandwidth with

minimal attenuation and fast rise times to minimize system level jitter.

The 1X1 SMT RJ45 connectors manufactured by Pulse are designed to meet all published specifications after exposure to surface mount soldering temperatures. The SMT are robust enough to withstand convection and infrared reflow solder temperatures. Additionally, compliant leads provide excellent solder-joint reliability with a coplanarity of 0.10mm (0.004")

**NOTE:** Modules are packaged in trays, unless Tape & Reel is specified. Please add the suffix "T" for Tape & Reel orders (ex: J0C-0003T). Add the suffix "NL" for RoHS compliant parts (ex: J0C-0003NL for Trays and J0C-0003NLT for Tape & Reel).



#### PCB Layout Recommendations:

1. For maximum EMI suppression (electromagnetic interference) place the decoupling capacitors adjacent to Vcc and 50Ω connections.
2. Connections to ground should be as short as possible.
3. Connections between the 10/100 IC and the SMT connector should be direct (ideally no change in direction) and of minimum length.



### JV Application Note

This line of 10/100Base-TX SMT RJ45 1X1 Connector Magnetics Modules has been specifically designed for the implementation of a 10Base-T and 100Base-TX transmission over data-grade unshielded twisted pair cable (UTP-3, 5e and 6).

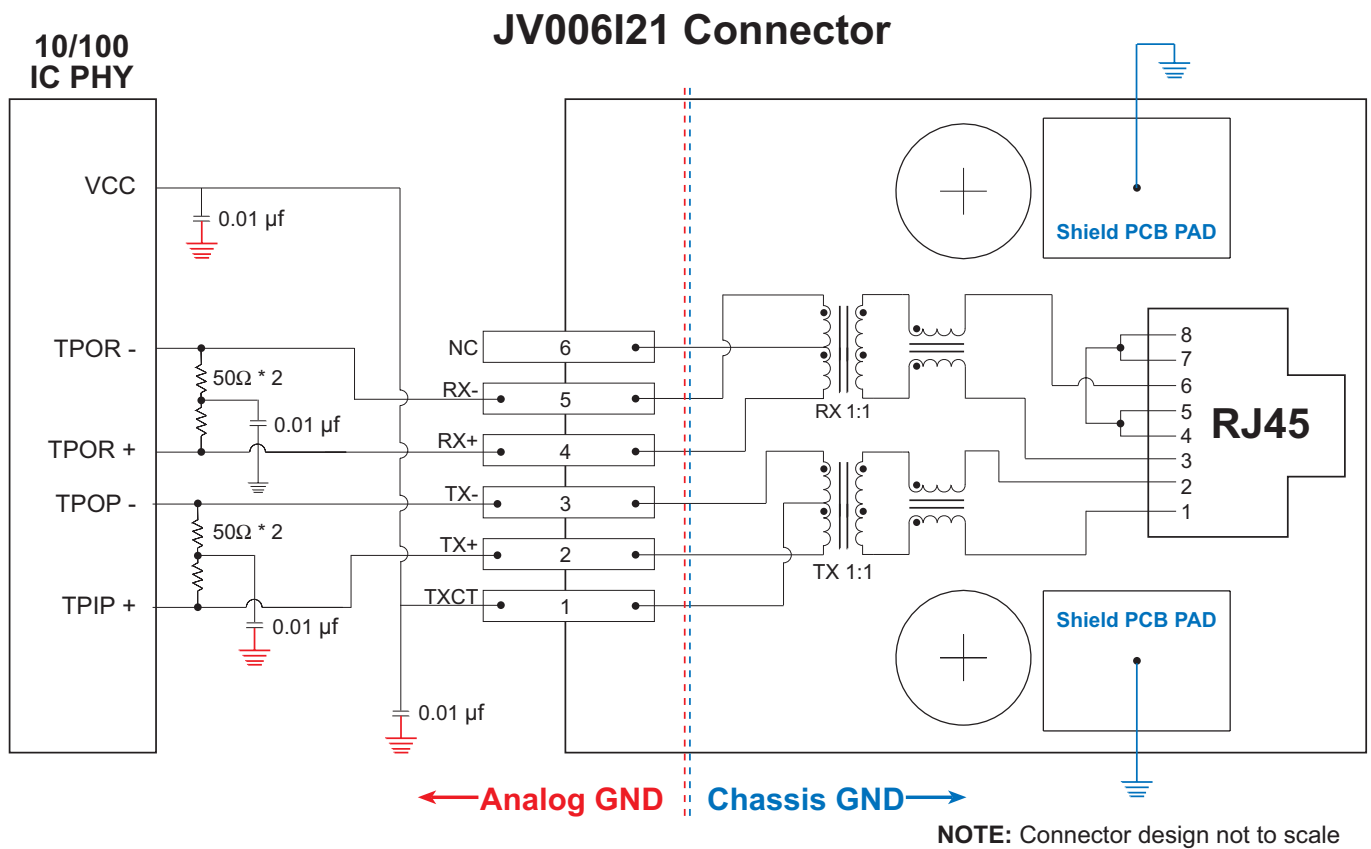
The connectors provide excellent EMI filtering and are suitable for adapter card and multiport applications. Pulse has worked closely with the leading IC manufacturers in providing these 10/100 solutions, thereby assuring compatibility with each transceiver.

The JV series meets the stringent open circuit inductance requirements imposed by IEEE. When an 8mA DC current is applied across the transformer windings, the transformer will provide at least 350µH. The transformers used in each module also provide 1500Vrms minimum isolation, wide bandwidth with

minimal attenuation and fast rise times to minimize system level jitter.

The 1X1 SMT RJ45 connectors manufactured by Pulse are designed to meet all published specifications after exposure to surface mount soldering temperatures. The SMT are robust enough to withstand convection and infrared reflow solder temperatures. Additionally, compliant leads provide excellent solder-joint reliability with a coplanarity of 0.10mm (0.004")

**NOTE:** Modules are packaged in trays, unless Tape & Reel is specified. Please add the suffix "T" for Tape & Reel orders (ex: JV006I21T). Add the suffix "NL" for RoHS compliant parts (ex: JV006I21NL for Trays and JV006I21NLT for Tape & Reel).



#### PCB Layout Recommendations:

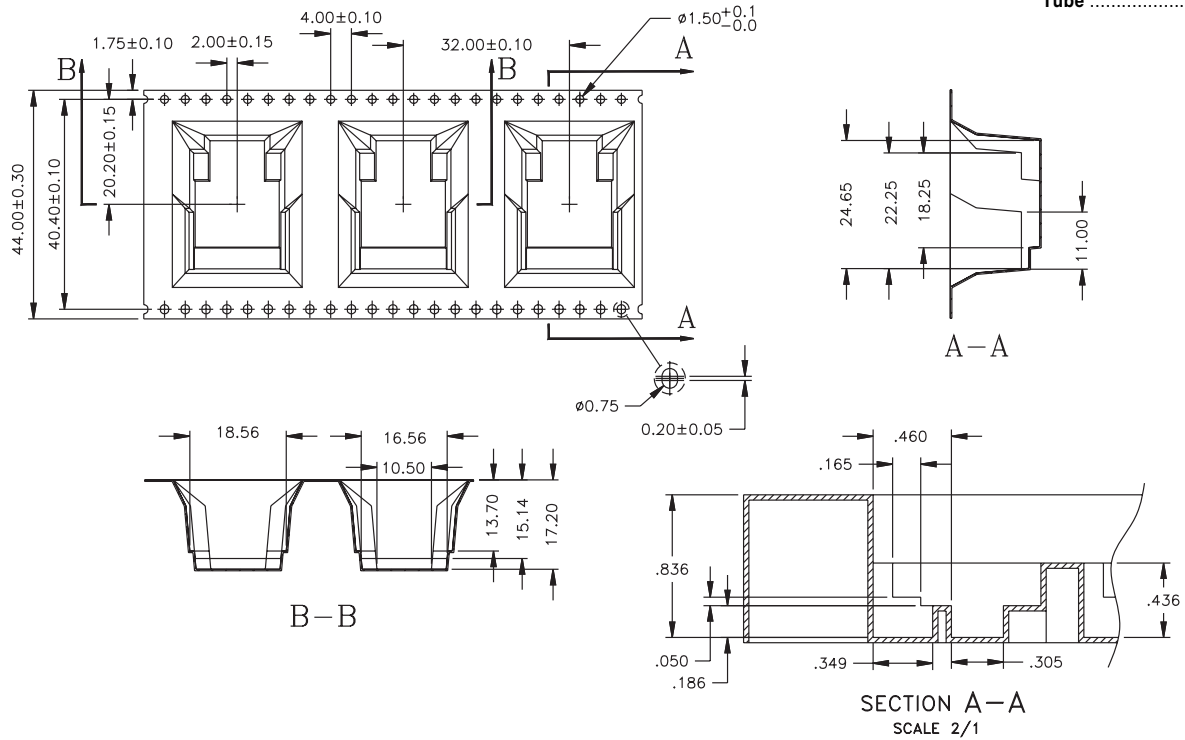
1. For maximum EMI suppression (electromagnetic interference) place the decoupling capacitors adjacent to Vcc and 50Ω connections.
2. Connections to ground should be as short as possible.
3. Connections between the 10/100 IC and the SMT connector should be direct (ideally no change in direction) and of minimum length.

## J0C Packaging Specifications

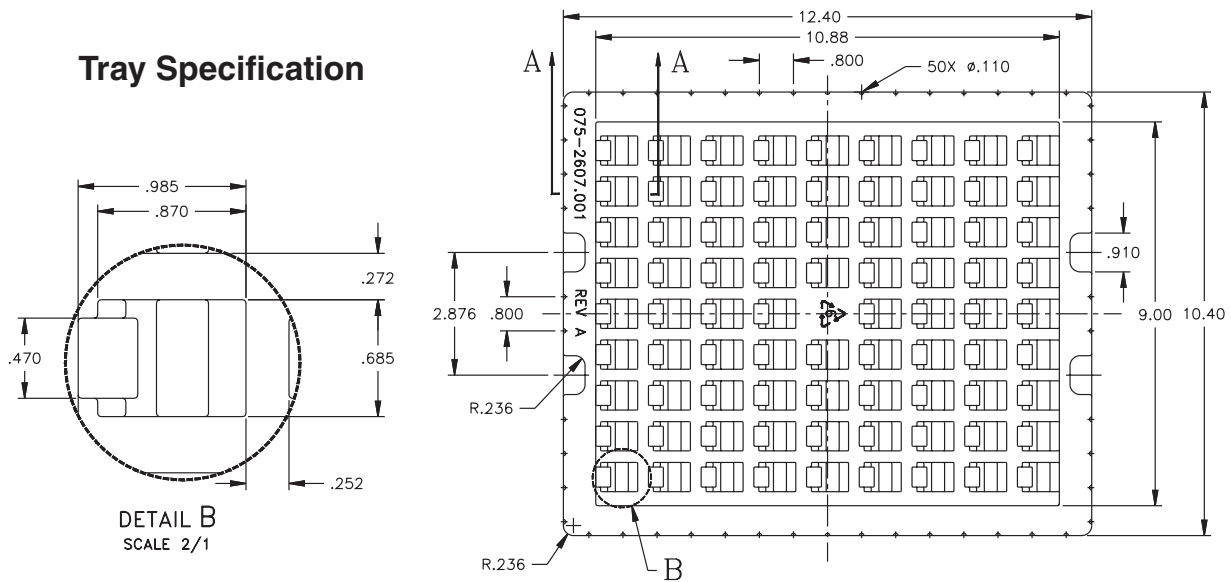
### J0C Series

Weight.....7.07 grams  
 Tape & Reel .....90/reel  
 Tray .....80/tray  
 Tape .....44x32mm  
 Tube .....25/tube

### Tape and Reel Specification



### Tray Specification

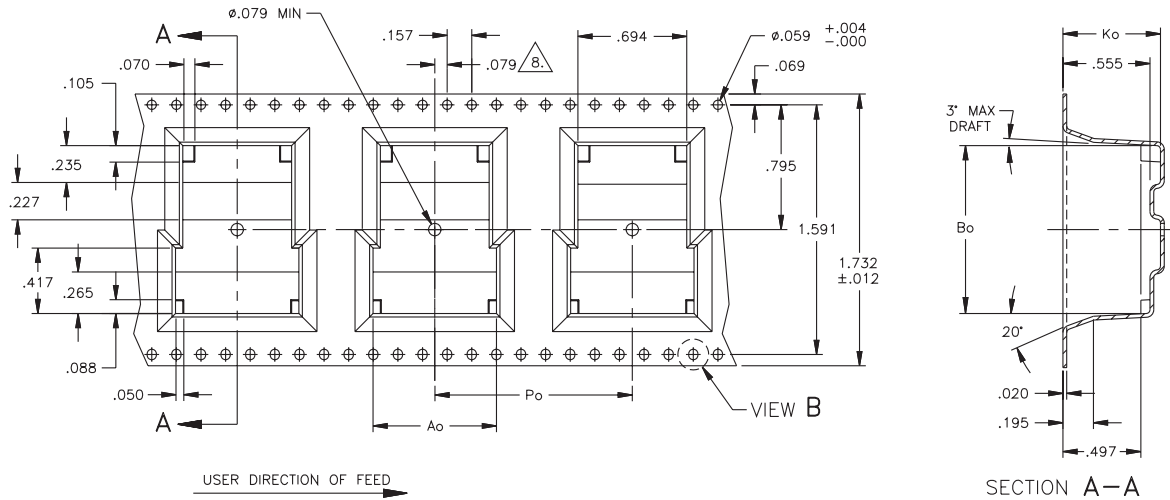


### JV Packaging Specifications

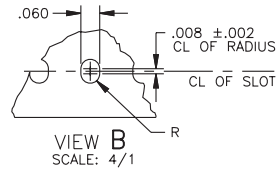
#### JV Series

Weight .....6.6 grams  
 Tape & Reel .....150/reel  
 Tray .....45/tray  
 Tape .....44x32mm

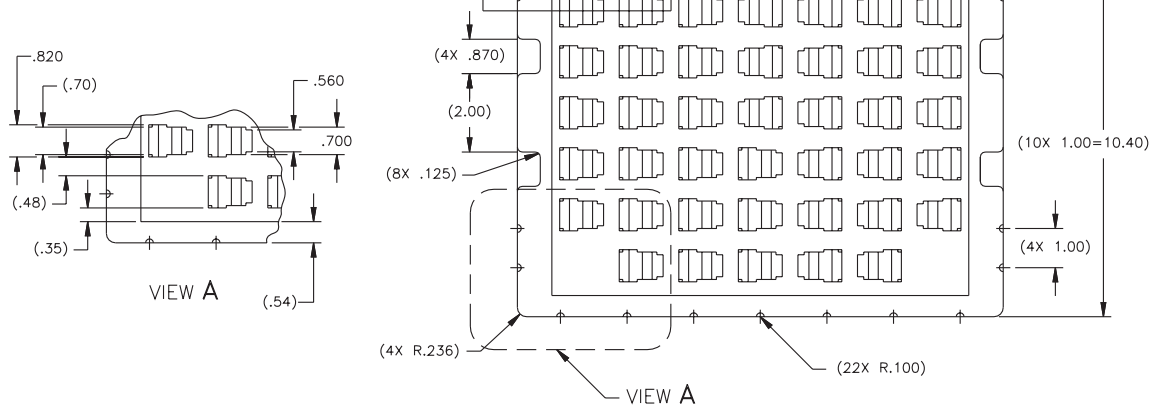
#### Tape and Reel Specification



DIM CHART	
$A_o$	.787
$B_o$	1.050
$K_o$	.618
$P_o$	1.260



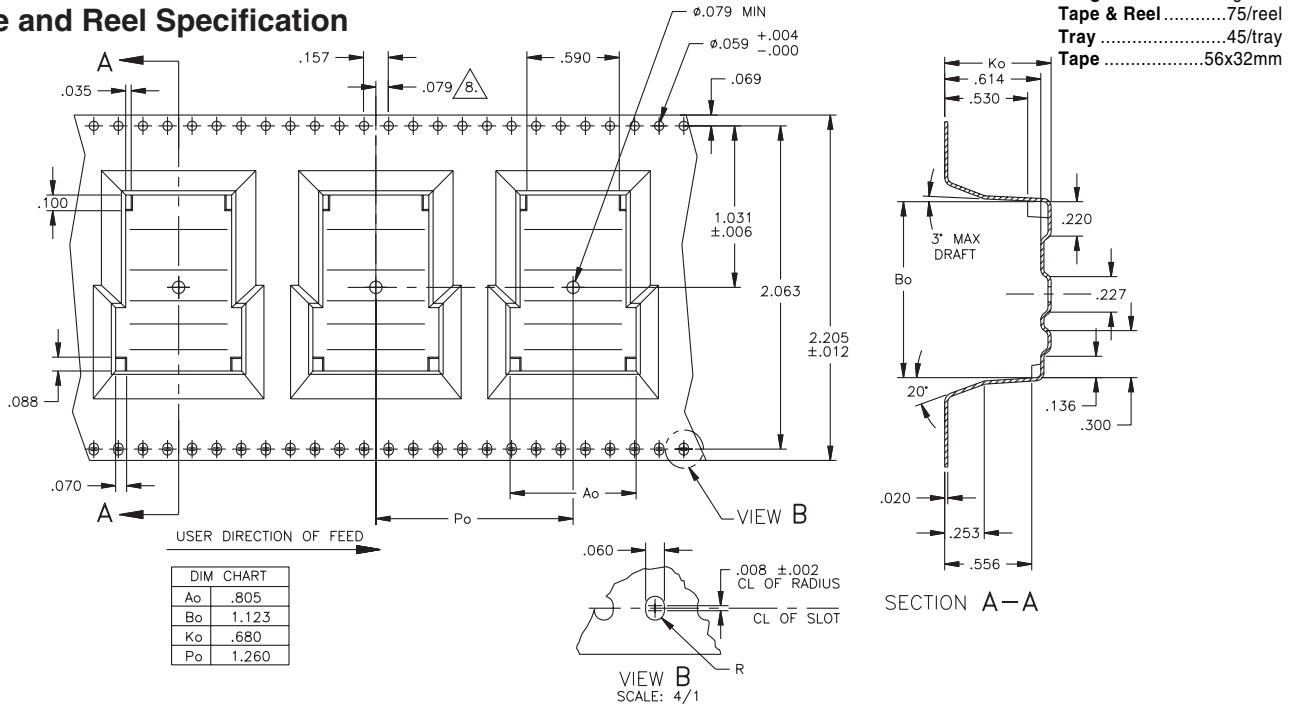
#### Tray Specification



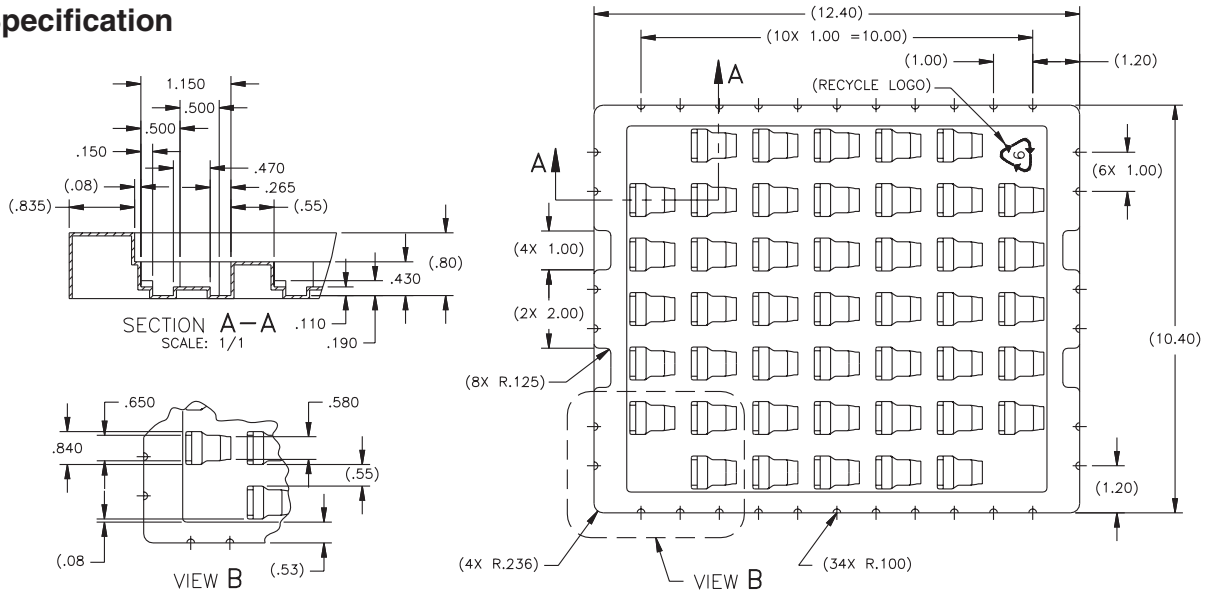
### J3 Packaging Specifications

#### J3 Series

#### Tape and Reel Specification



#### Tray Specification



#### For More Information:

##### Pulse Worldwide Headquarters

12220 World Trade Drive  
 San Diego, CA 92128  
 U.S.A.

[www.pulseeng.com](http://www.pulseeng.com)  
 TEL: 858 674 8100  
 FAX: 858 674 8262

##### Pulse Northern Europe

3 Huxley Road  
 Surrey Research Park  
 Guildford, Surrey GU2 5RE  
 United Kingdom

TEL: 44 1483 401700  
 FAX: 44 1483 401701

##### Pulse Southern Europe

Zone Industrielle  
 F-39270  
 Orgelet  
 France

TEL: 33 3 84 35 04 04  
 FAX: 33 3 84 25 46 41

##### Pulse China Headquarters

No. 1  
 Industrial District  
 Changan, Dongguan  
 China

TEL: 86 769 5538070  
 FAX: 86 769 5538870

##### Pulse North China

Room 1002  
 No. 819  
 Nanjing West Rd  
 Shanghai  
 China

TEL: 86 21 32181071  
 FAX: 86 21 32181396

##### Pulse South Asia

150 Kampong Ampat  
 #07-01/02  
 KA Centre  
 Singapore 368324

TEL: 65 6287 8998  
 FAX: 65 6280 0080

##### Pulse North Asia

3F-4, No. 81, Sec. 1  
 Hsin Tai Wu Road  
 Hsi-Chih  
 Taipei Hsien  
 Taiwan

TEL: 886 2 26980228  
 FAX: 886 2 26980948

Performance warranty of products offered on this data sheet is limited to the parameters specified. Data is subject to change without notice. Other brand and product names mentioned herein may be trademarks or registered trademarks of their respective owners.

© Copyright, 2005. Pulse Engineering, Inc. All right reserved.