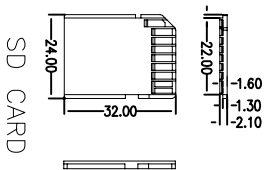
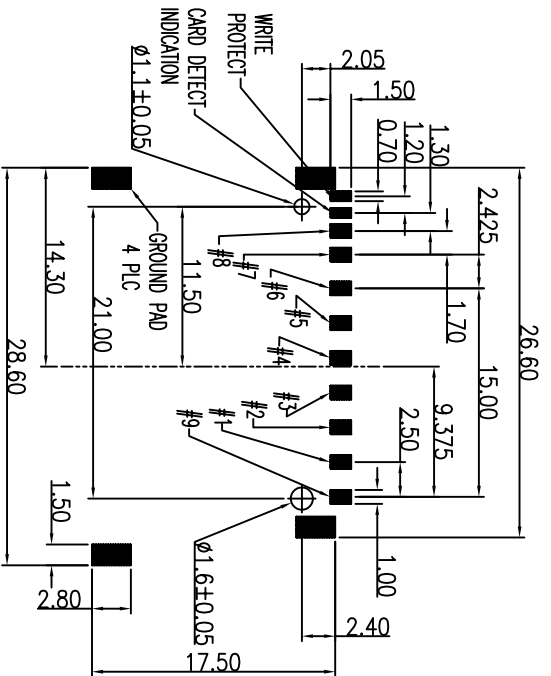
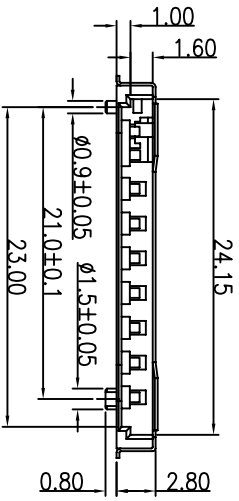
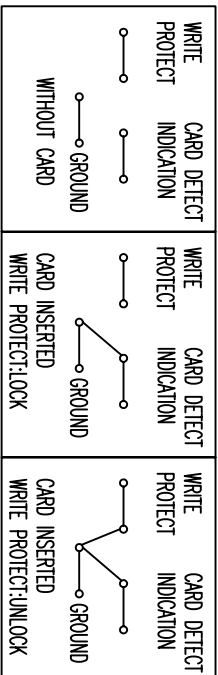


REV. DATE	MODIFICATION	APPROVER
① 2.03.09	NEW	Vicky
②		
③		

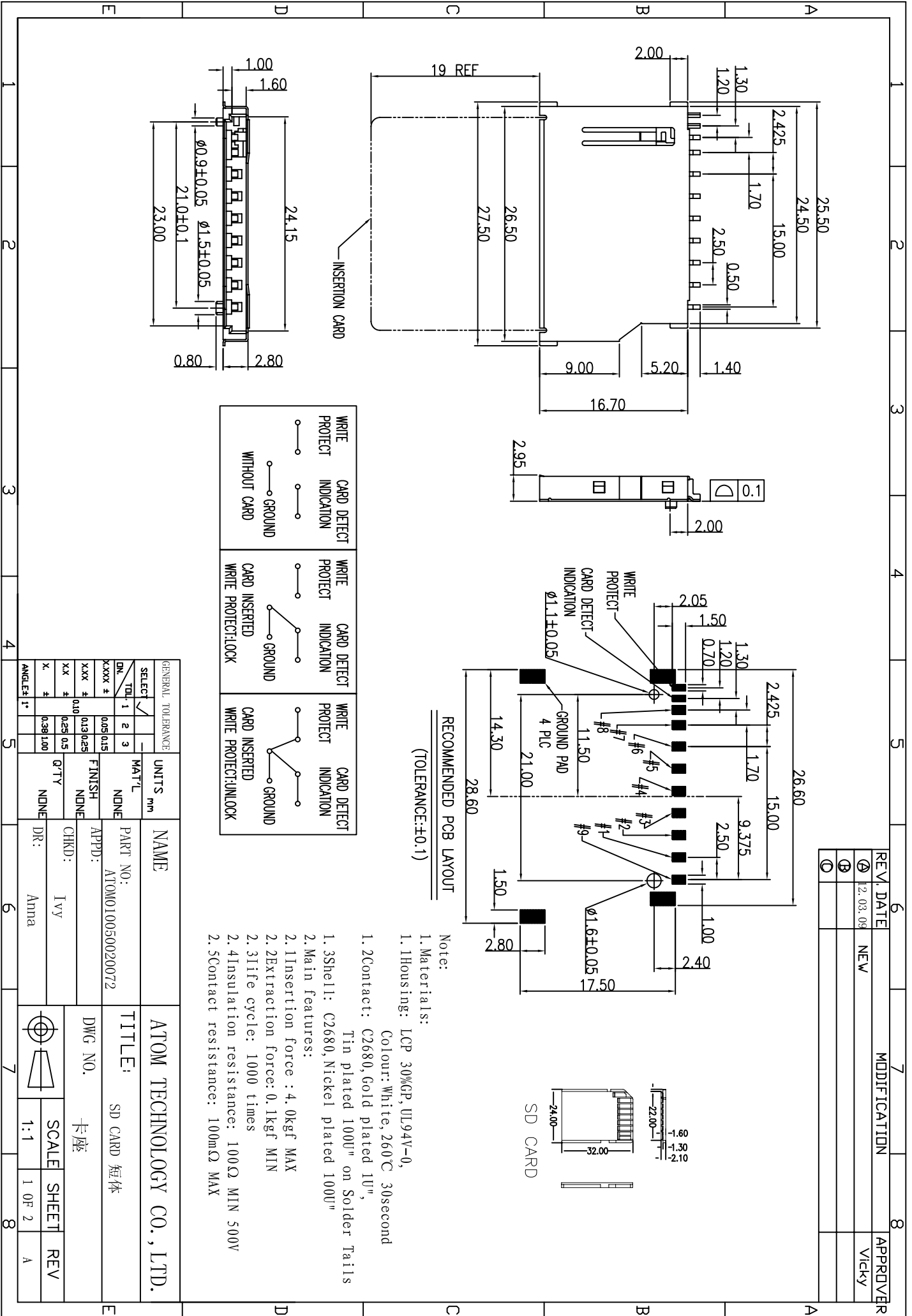


RECOMMENDED PCB LAYOUT  
(TOLERANCE:±0.1)

- Note:
- Materials: LCP 30%GP, UL94V-0, Colour: White, 260C 30second
  - Contact: C2680, Gold plated 1u", Tin plated 100u" on Solder Tails
  - Shell: C2680, Nickel plated 100u"
- Main features:
- Insertion force : 4.0kgf MAX
  - Extraction force: 0.1kgf MIN
  - Life cycle: 1000 times
  - Insulation resistance: 100Ω MIN 500V
  - Contact resistance: 100mΩ MAX



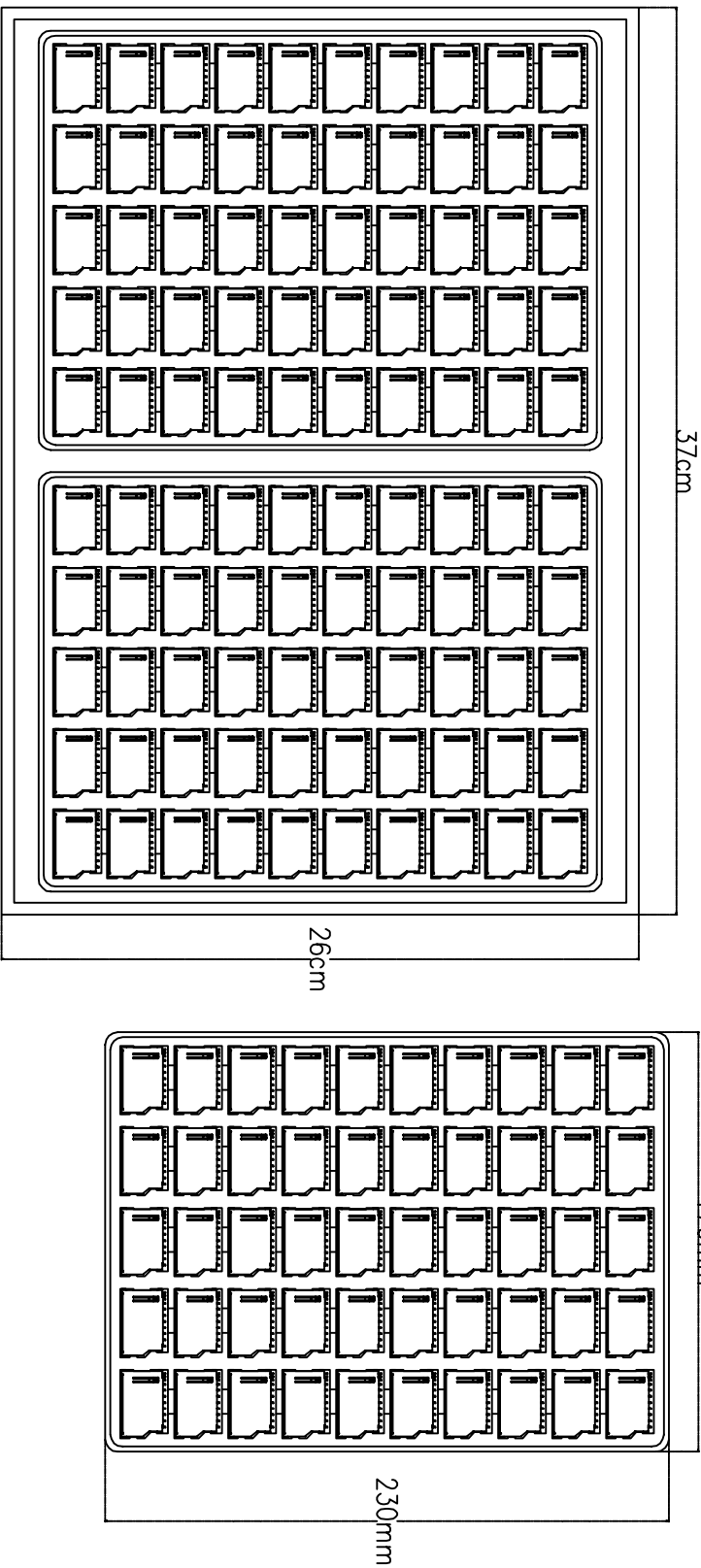
GENERAL TOLERANCE:		UNITS mm	NAME
SELECT	✓	MAT'L	ATOM TECHNOLOGY CO., LTD.
DN	1	NDNE	PART NO: ATOM010050020072
TOL	2	NDNE	FINISH
X.XXX ±	0.05/0.15	NDNE	CHKD: Ivy
XX ±	0.10	NDNE	DR: Anna
X ±	0.25/0.5	NDNE	
ANGLE: 1°	0.38/1.00	NDNE	
TITLE: SD CARD 短体		DWG NO. 卡座	SCALE SHEET REV
			1:1 1 OF 2 A



REV. DATE	2.03.09	MODIFICATION	NEW	APPROVER	VICKY
⑦					
⑧					
⑨					

外箱尺寸  
长37CM 宽26CM 高28CM

吸塑盘



每箱6K, 每K1包, 每K20盘, 每盘50个

GENERAL TOLERANCE:			UNITS	mm	NAME	ATOM TECHNOLOGY CO., LTD.		
SELECT			MAT'L	NONE	PART NO.:	ATOM010050020072		
DN.	TOL.	1 2 3	FINISH	NONE	APPD:			
X.XXX	±0.05/0.05/0.15		XX	±0.01/0.13/0.25	CHKD:	Ivy		
XX	±0.20/0.25/0.5		X	±0.30/0.35/1.00	DR:	Anna		
ANGLE:	1°							
TITLE:				SD CARD 短体 包装图				
DWG. NO.				包装图				
SCALE				SHEET		REV		
1:1				2 OF 2		A		