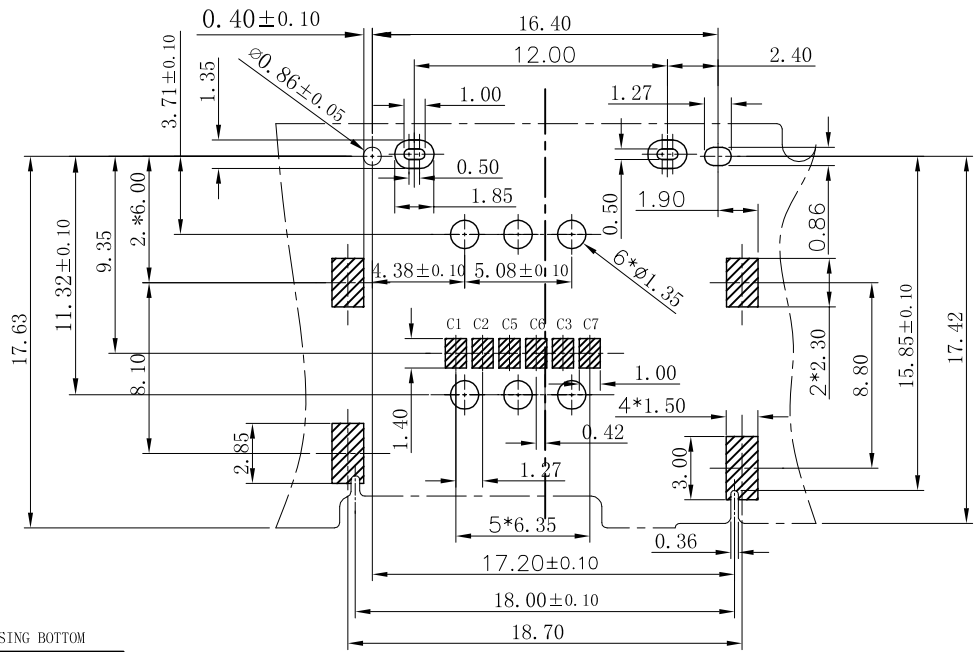
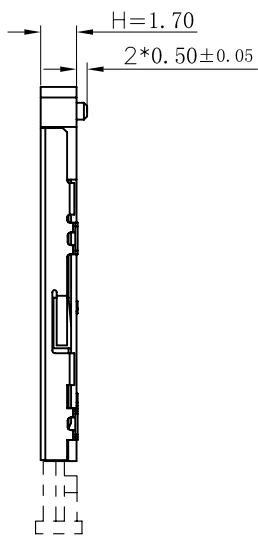
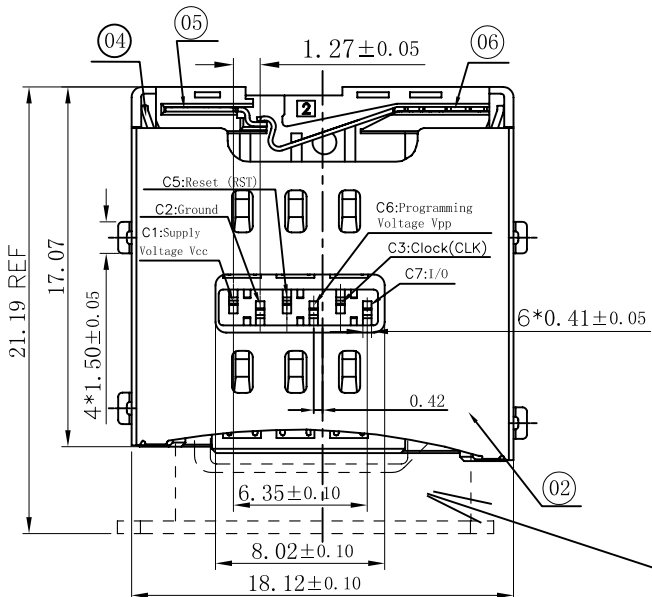
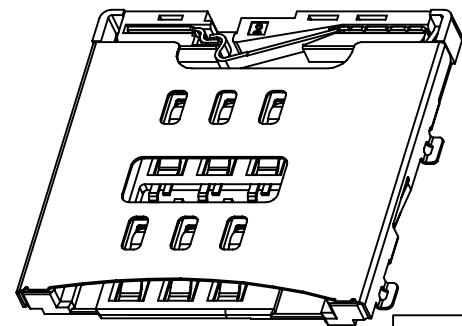
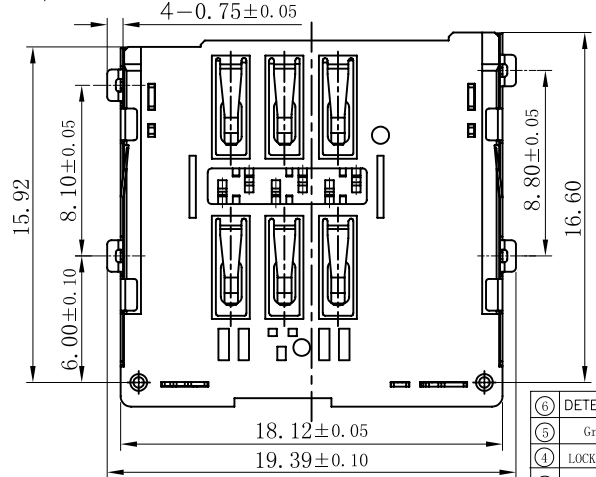
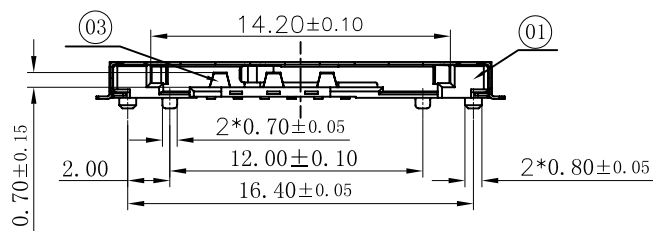


REV.	DATE	MODIFICATION	APPROVER
Ⓐ	12.02.21	NEW	Vicky
Ⓑ			
Ⓒ			



SEE NEXT PAGE

**RECOMMENDED P.C.B LAYOUT**  
GENERAL TOLERANCES:±0.05



**NOTE:**

1. DURABILITY:Must withstand 2,000 insertion/extraction cycles
2. CONTACT RETENTION FORCE:0.2kgf Min.
3. MATING FORCE:0.5kgf Max.
4. UNMATING FORCE:0.3kgf Min.
5. CONTACT RESISTANCE:30m OHMS Max.
6. CURRENT RATING:1.0 Amps per pin
7. VOLTAGE RATING:30 Volts
8. INSULATING RESISTANCE:1000M OHMS Min at 200VDC for 2 minute
9. DIELECTRIC WITHSTANDING VOLTAGE:500VAC Min. for one minute at sea level, less than 1mA leakage current

NO.	DESCRIPTION	QTY	MATERIAL	NOTE
⑥	DETECT PIN	1	STAINLESS STEEL	Ni/Au PLATING
⑤	Ground PIN	1	STAINLESS STEEL	Ni/Au PLATING
④	LOCK PIN	2	STAINLESS STEEL	NO PLATING
③	TERMINAL	6	COPOER ALLOY	CONTACT 3u" Au OVER ALL:
②	SHELL	1	STAINLESS STEEL	Ni/Au PLATING
①	HOUSING	1	THERMOPLASTIC	UL 94V-0

GENERAL TOLERANCE	UNITS	NAME	TITLE:		
SELECT	mm		SIM CARD 6P SMT H=1.7mm		
TOL	MAT'L	PART NO:	DWG NO.		
1 2 3	NONE	APPD: Vicky	SIM		
X.XXX ±0.10 0.05 0.15	FINISH	CHKD: Ivy	SCALE	SHEET	REV
X.XX ±0.15 0.13 0.25	NONE	DR: Linda	1:1	1 OF 1	A
X.X ±0.20 0.25 0.5	QTY				
X. ±0.25 0.38 1.00	NONE				
ANGLE ±3°					

